



iRig[®] HD-A

Digital guitar interface

USER MANUAL

Table of Contents

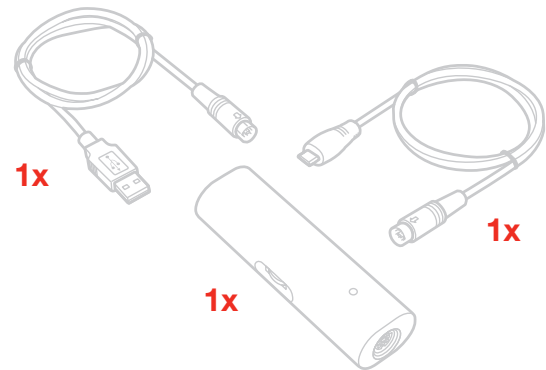
Contents	2
English	3
iRig HD-A	3
Register your iRig HD-A	3
Installation and setup	4
Android	4
PC	6
iRig HD-A status LED	7
Setting input gain on iRig HD-A	7
Troubleshooting	8
Warranty	8
Support and more info	8

iRig HD-A

Thank you for purchasing iRig HD-A, the high-quality digital guitar interface for Android and PC.

Your package contains

- iRig HD-A
- Micro-USB cable
- USB cable
- Quick Start Guide
- Registration Card



iRig HD-A is an ultra-compact digital guitar interface for Android and PC. Compatible with guitars, basses, and other instrument-level sources, iRig HD-A offers a high-quality A/D converter for a crystal clear signal that's free from noise and crosstalk.

iRig HD-A is powered by your mobile device or computer, no batteries required. A preamp gain control allows you to dial in the perfect signal for your instrument, and a multicolor status LED offers a clear indication of the interface's status.

Two cables are included: micro-USB cable for Android devices and USB for computer.

iRig HD-A is designed primarily for guitars and basses, but its preamp can also handle a wide range of instrument signals including acoustic instruments equipped with piezo pickups or contact transducers, synthesizers and more.

Register your iRig HD-A

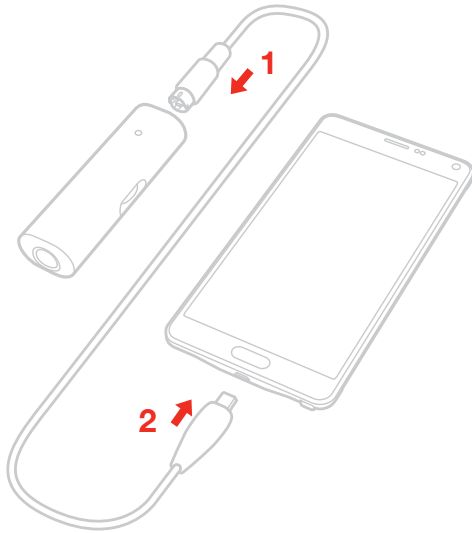
By registering, you can access technical support, activate your warranty and receive free JamPoints™ which will be added to your account. JamPoints™ allow you to obtain discounts on future IK purchases! Registering also keeps you up-to-date with product news and update information.

Register at: www.ikmultimedia.com/registration

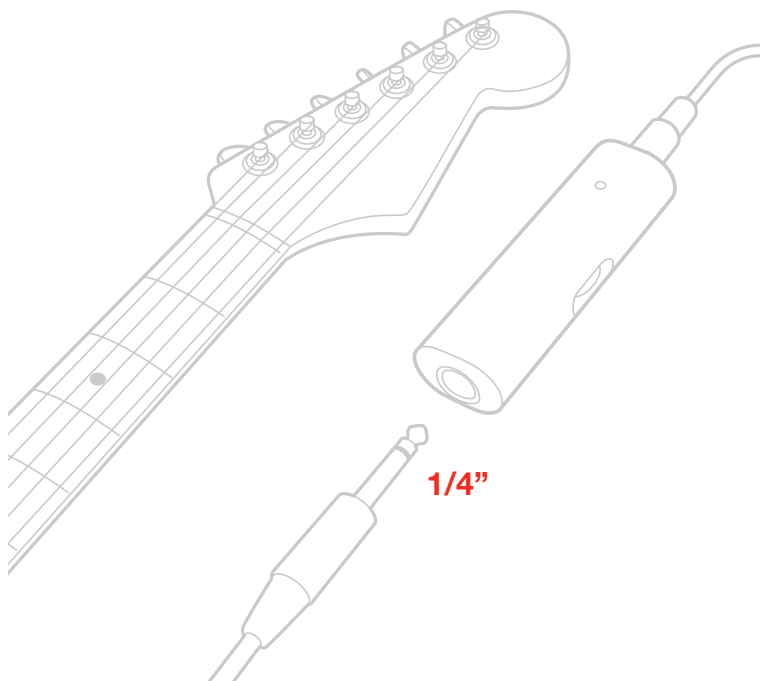
Installation and setup

Android

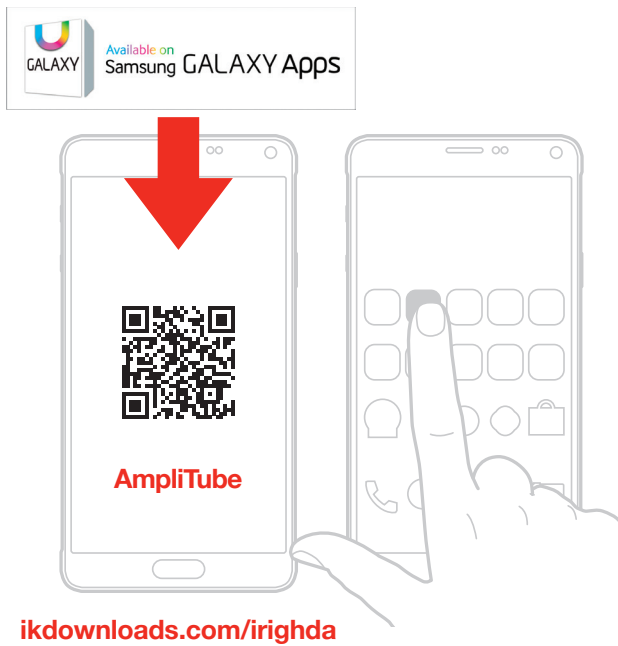
1. Connect the included micro-USB cable to iRig HD-A.
2. Connect the micro-USB cable to the connector on your device. The status LED on iRig HD-A will turn dark blue.



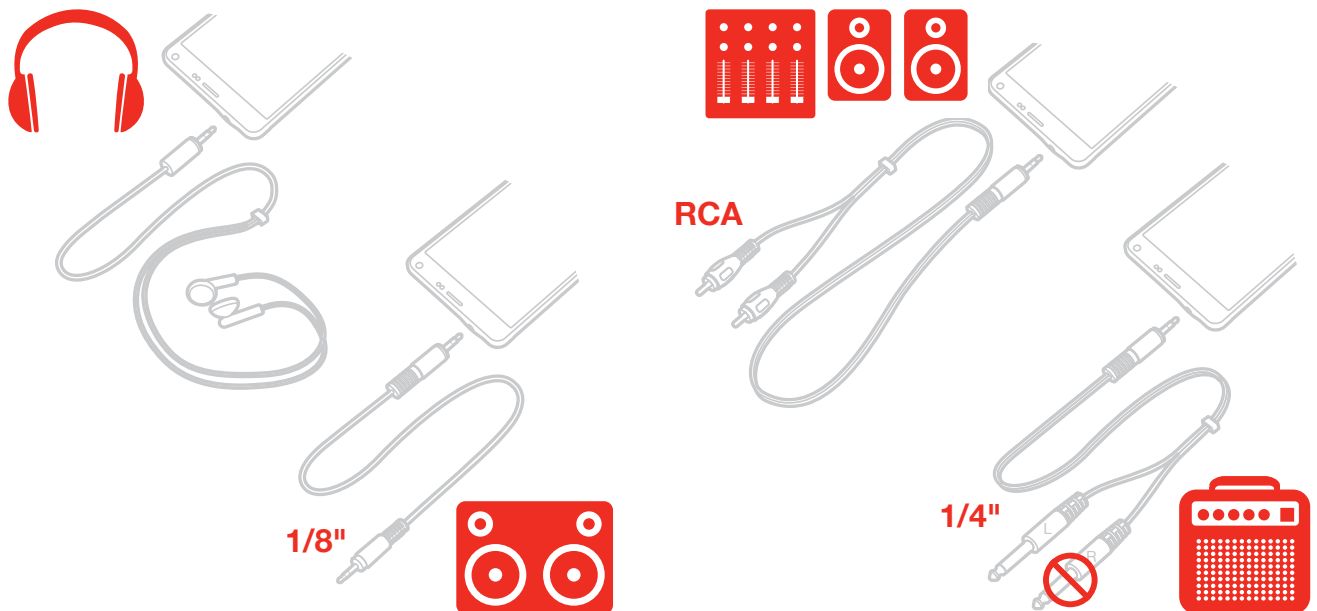
3. Connect your guitar, bass or other mono instrument to the 1/4" input jack on iRig HD-A.



4. If you have not done so already, download the AmpliTube app from the Samsung Galaxy Apps and launch it.

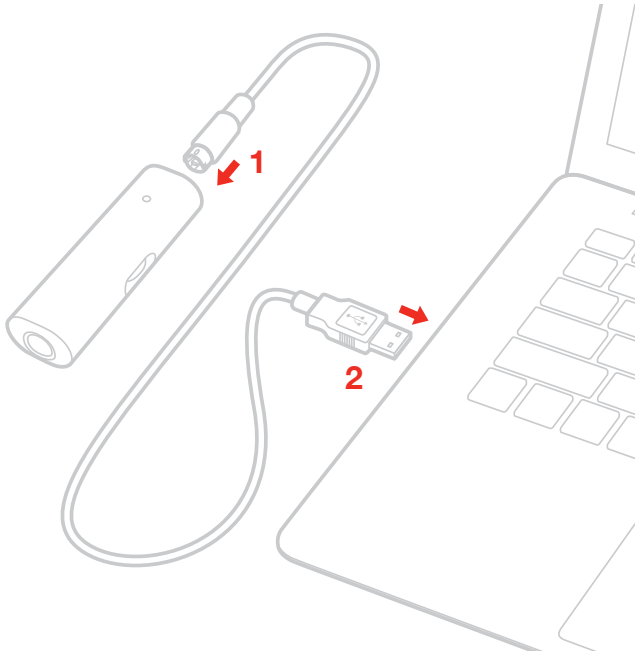


5. Connect your headphones, guitar amplifier, mixer or powered speakers to the device headphone jack.

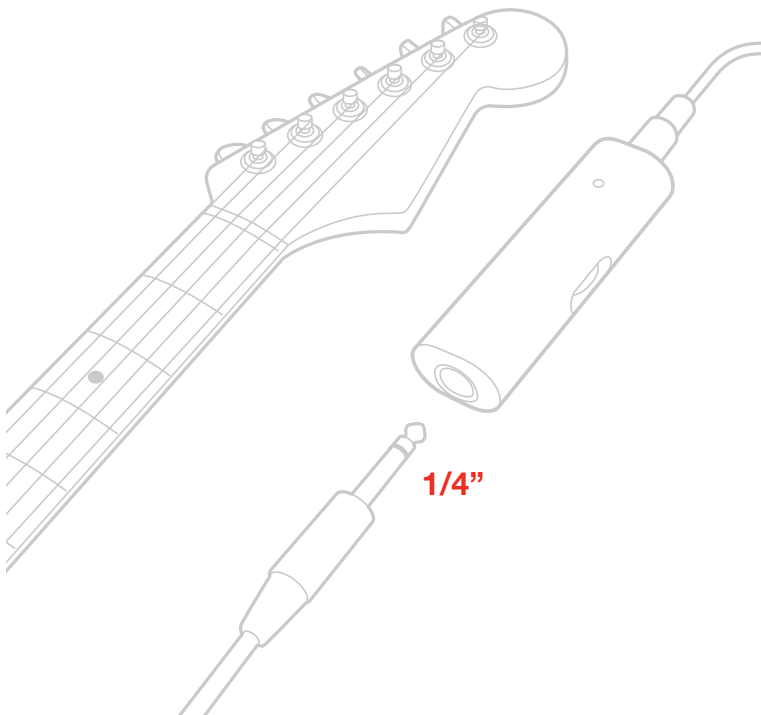


PC

1. Connect the included USB cable to iRig HD-A.
2. Connect the USB cable to a free USB port on your PC. The status LED on iRig HD-A will turn dark blue.



3. Connect your guitar/bass or any other mono instrument to the 1/4" input jack on iRig HD-A.



4. Launch AmpliTube or any other Core Audio-compatible application and select iRig HD-A as the input device from the audio preferences. The status LED on iRig HD-A will turn bright blue.
ikdownload.com/irighda
5. Connect your headphones, guitar amplifier, mixer or powered speakers to the headphone jack on your PC.

iRig HD-A status LED

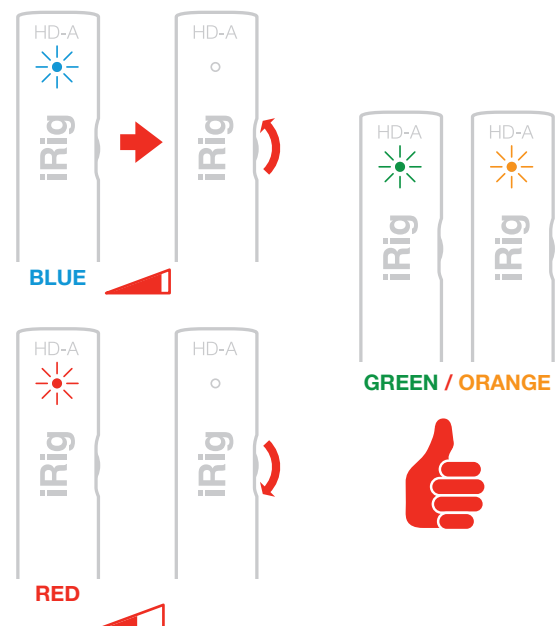
The LED on iRig HD-A gives you important information about the iRig HD-A's operative status. Each status is indicated by a different color:

- LED is **off**: iRig HD-A is not connected to any power source.
- LED is **dark blue**: iRig HD-A is connected and in standby mode.
- LED is **bright blue**: iRig HD-A is connected and active.
- LED is **green**: iRig HD-A is active and the input signal is low.
- LED is **orange**: iRig HD-A is active and the input signal is OK.
- LED is **red**: iRig HD-A is active and the input signal is too high.

Setting input gain on iRig HD-A

When playing your instrument check the iRig HD-A status LED.

- If the LED is alternating between BLUE and GREEN or is always GREEN, you should **increase** the iRig HD-A input gain by rotating the GAIN control toward the output connector.
- If the LED is sometimes flashing RED you should **decrease** the iRig HD-A input gain by rotating the GAIN control toward the input connector.
- **When your gain setting is optimal, the LED should alternate between GREEN and ORANGE while you play.**



WARNING: Permanent hearing loss may occur if earbuds or headphones are used at high volume. You can adapt over time to a higher volume of sound, which may sound normal but can be damaging to your hearing. Set your device volume to a safe level before that happens. If you experience ringing in your ears, reduce the volume or discontinue use of earbuds or headphones with your device.

Troubleshooting

I have connected iRig HD-A to my Android device, but it is not recognized and none of my audio apps work with it.

Remember to always connect the included micro-USB cable to the iRig HD-A before connecting it to the Android device.

Sound is distorted.

Check that the input gain on iRig HD-A has been set properly. If the red LED is lighting when you play your instrument, decrease the input gain as described in this guide.

Warranty

Please visit:

www.ikmultimedia.com/warranty

for the complete warranty policy.

Support and more info

www.ikmultimedia.com/support

www.irighda.com

iRig® and AmpliTube® are registered trademarks property of IK Multimedia Production. Android™ is a trademark of Google Inc. “Samsung” is a trademark of Samsung in the United States or other countries. All other product names and images, trademarks and artists names are the property of their respective owners, which are in no way associated or affiliated with IK Multimedia.